

Quick Disconnect Cables and Cable Accessories

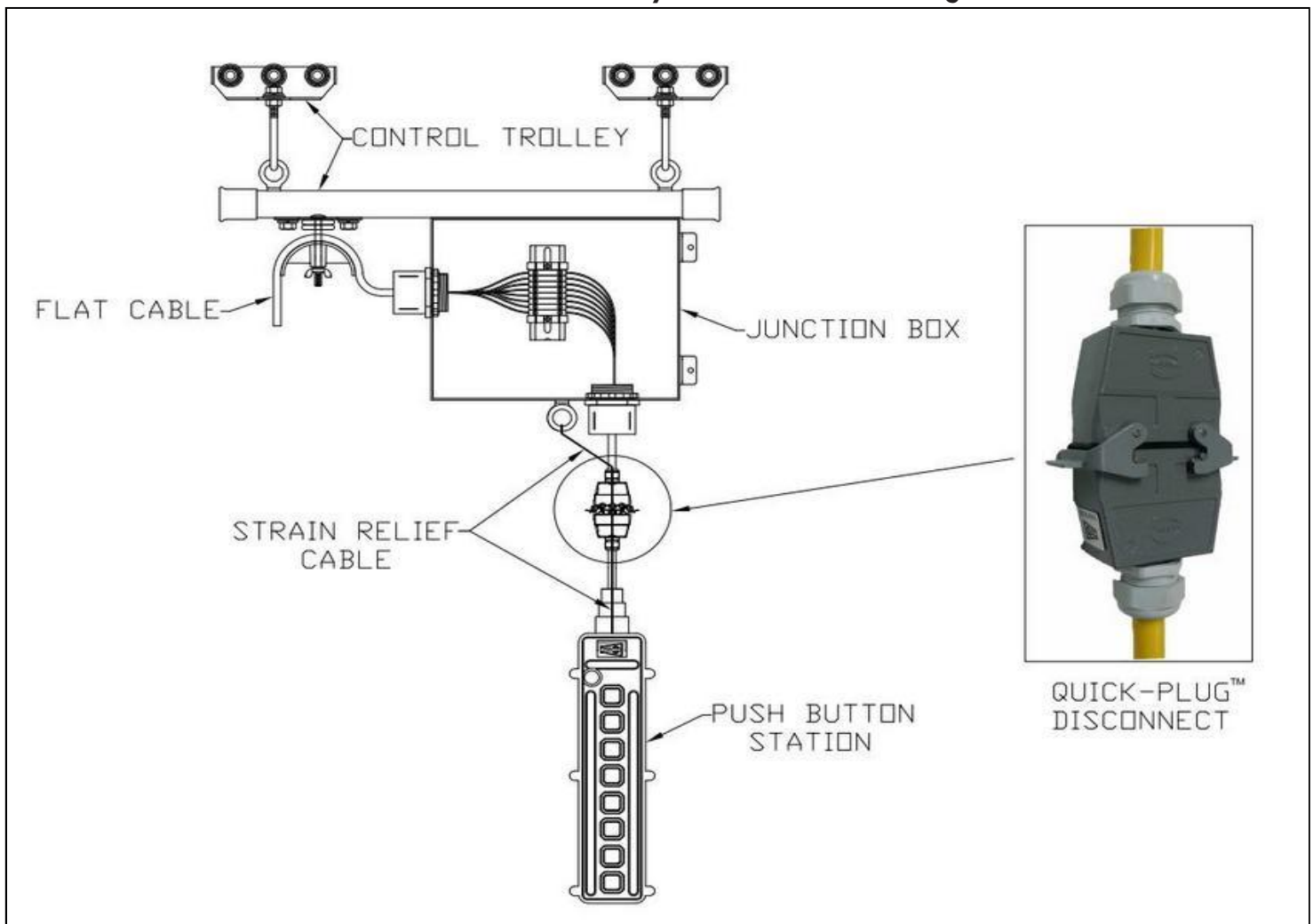
Complete Control Trolley with Pendant Station Quick-Plug™



Complete Solutions for Heavy Duty Control Trolley Applications

- Rugged Metal Trolleys for Smooth Operation
- Cost Savings Over Conventional Plug & Receptacle
- Strain Relief Quick Disconnect Links Included
- Extra Hoods and Connectors Available for Spares
- Aluma-Track and I-Beam Applications.
- Wear Point Bushings for Long Life
- Plug and Receptacle Components UL/CSA Rated
- Pre-wire Available for Pendant and Quick Plug
- Plug & Receptacle Components Available, Separately

Junction Box Control Trolley with In-Line Quick-Plug™



Pictures are for illustration purposes and may not represent actual product.